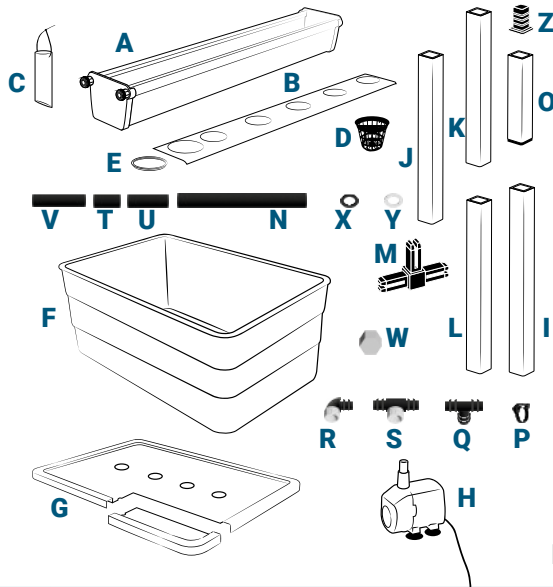


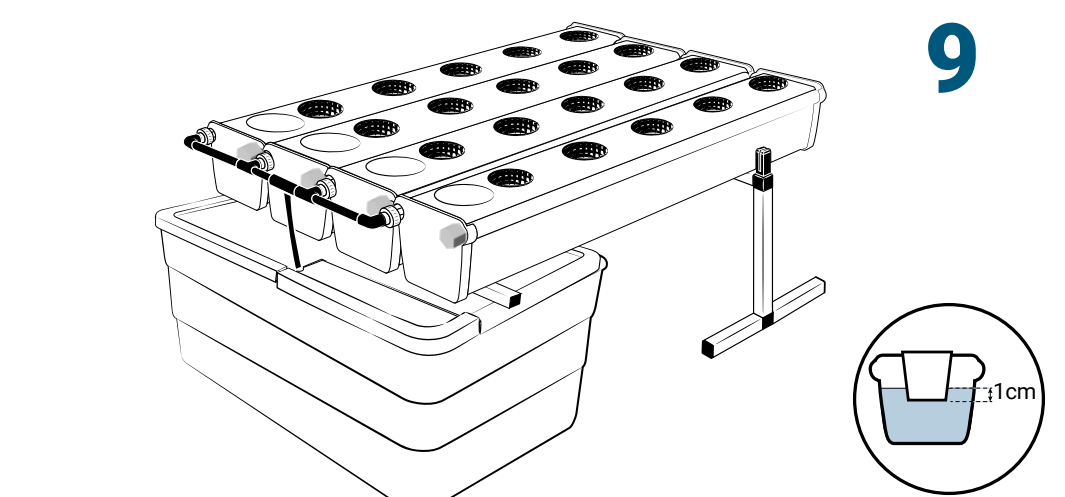
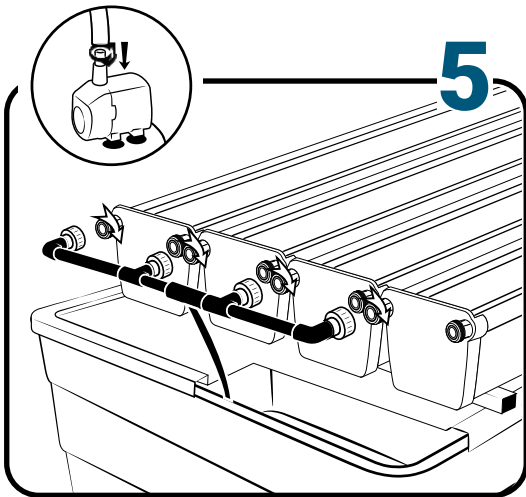
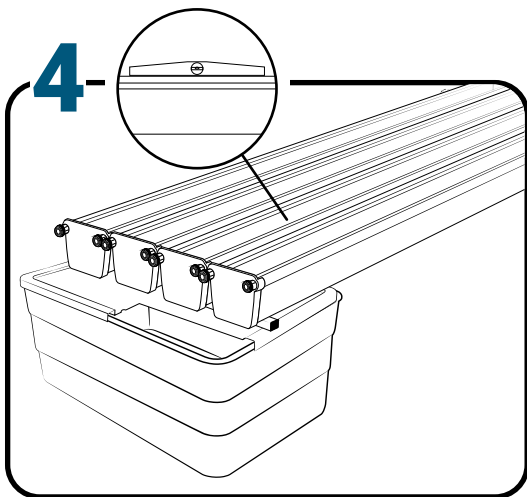
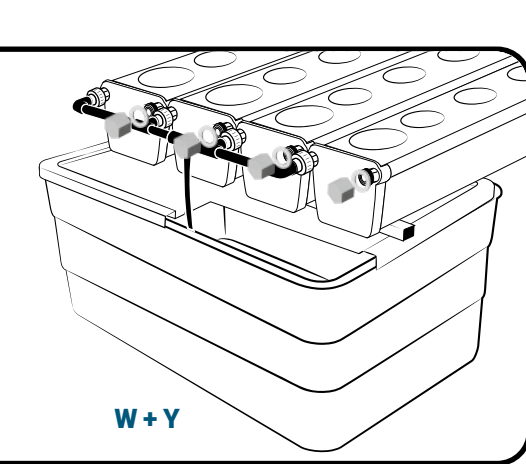
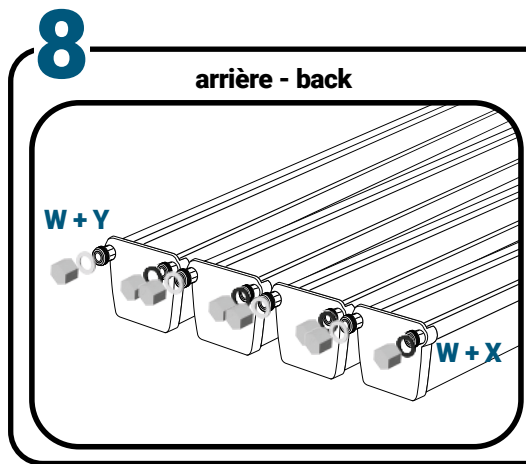
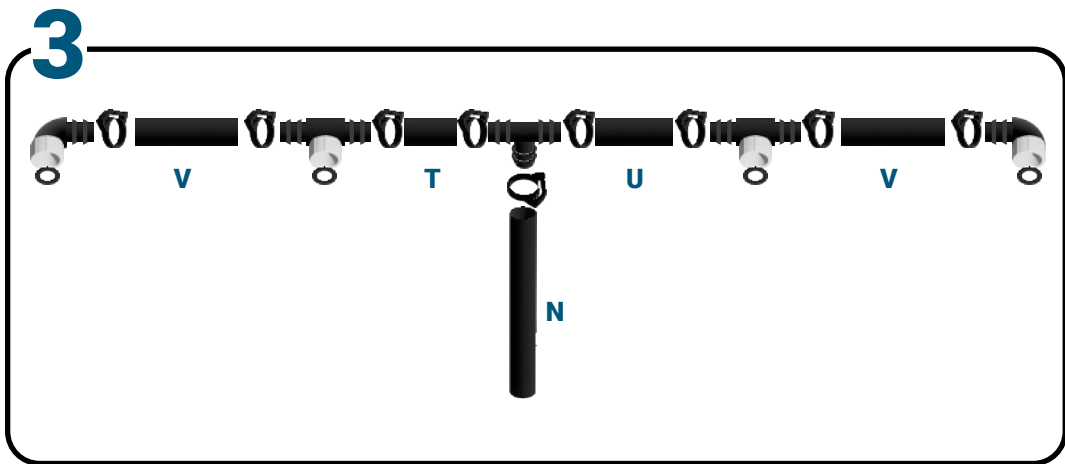
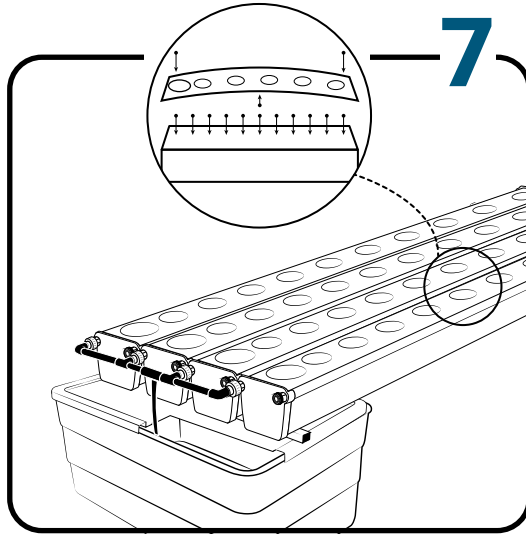
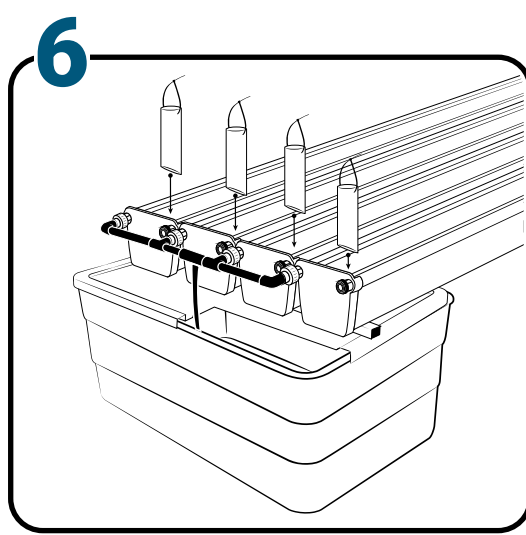
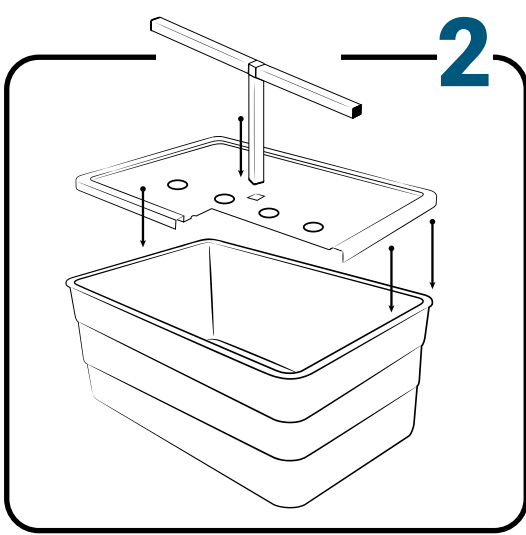
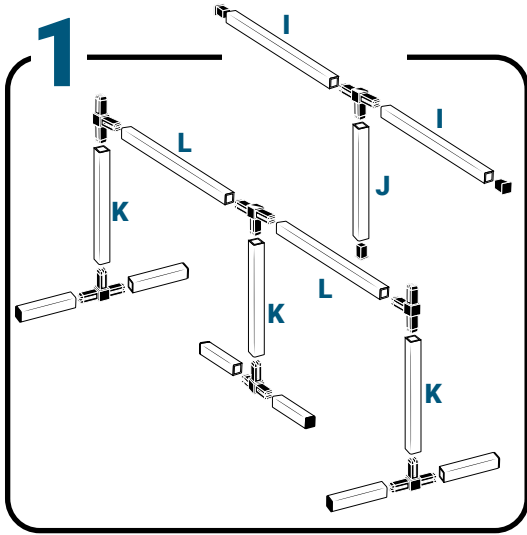
# GrowStream

# 20

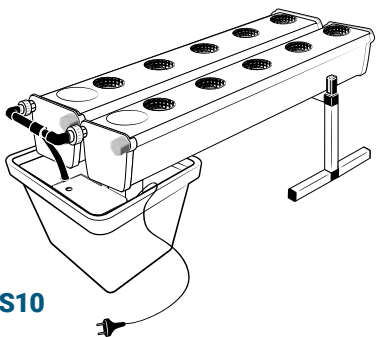


## Pièces

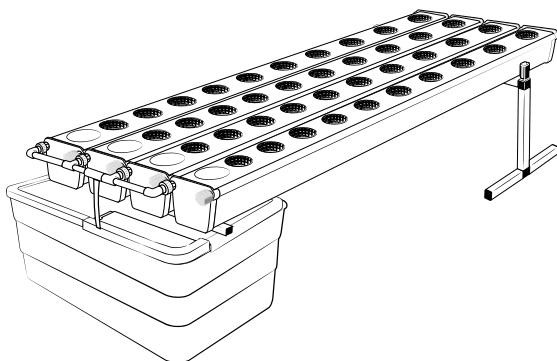
Ref	Designation		
<b>A</b>	TU21131	GrowStream V2 1M grow canal	4
<b>B</b>	CV21121	GrowStream V2 1M-5 plants cover	4
<b>C</b>	RT11011	Level tube D50 GrowStream canal	4
<b>D</b>	PO01002	3" net cup	20
<b>E</b>	CV91001	Access hole cap	4
<b>F</b>	RE07002	GrowStream tank ABS white	1
<b>G</b>	CV04007	GrowStream tank cover 10 ABS white	1
<b>H</b>	PM11050	1.0 Syncra pump	1
<b>I</b>	TU21036	30x30 white tube 458mm	2
<b>J</b>	TU21033	30x30 white tube 393mm	1
<b>K</b>	TU21032	30x30 white tube 370mm	3
<b>L</b>	TU21029	30x30 white tube 440mm	2
<b>M</b>	RA61007	T insert for 30x30 PVC tube	7
<b>N</b>	AL11025	Pump connection GrowStream20 V2	1
<b>O</b>	EI21034	PVC tube 30x30x140 + end-cap	6
<b>P</b>	FX11010	22 - 20.5x23mm clamp	10
<b>Q</b>	RA31002	Ribbed T 20mm	1
<b>R</b>	EI31024	Manifold elbow connector	2
<b>S</b>	EI31023	Manifold T connector	2
<b>T</b>	EI71001	Black tube 18x22x60mm (manifold tube GS 20/40/60/80/120)	1
<b>U</b>	EI71003	Black tube 18x22x100mm (manifold tube GS 20/40/60/80/120)	1
<b>V</b>	EI71005	Black tube 18x22x180mm (manifold tube GS 20/40/60/80/120)	2
<b>W</b>	AC01010	Brush Ø 16x80x300 mm loop Ø 10mm	1
<b>W</b>	RA03001	3/4 drilled end-cap white PP	12
<b>X</b>	JN21012	Flat O-ring seal 12x24x3mm	8
<b>Y</b>	JN21013	Flat O-ring seal EPDM 3/4	8
<b>Z</b>	RA61005	End-cap insert 30x30	3
	AC01001	Draining kit	1



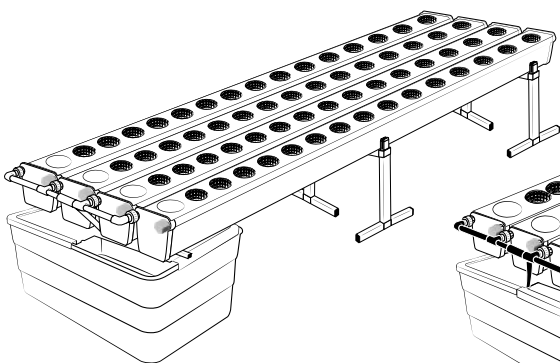
**GS10**



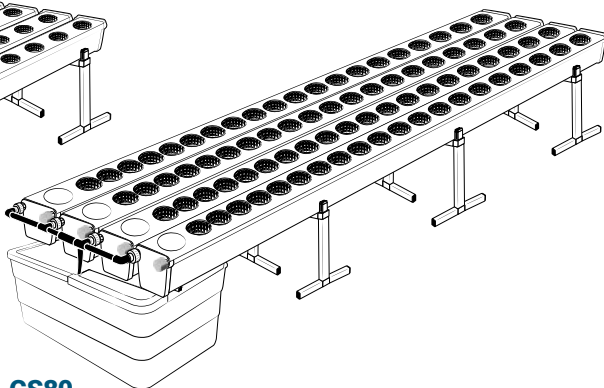
**GS40**



**GS60**



**GS80**



**T.A.**<sup>®</sup>  
**Terra Aquatica**

info@eurohydro.com  
Tél. :+33 (0)5 62 06 08 30  
32500 Fleurance - France